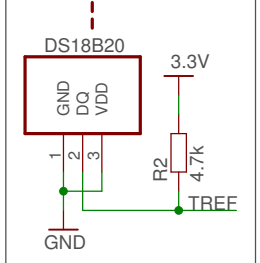
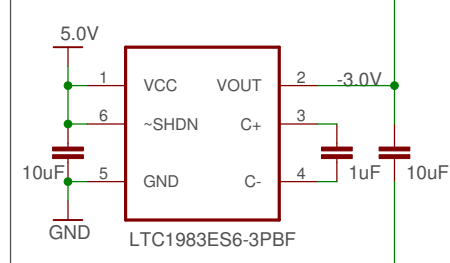


THERMOCOUPLES PCB 5.0-4P

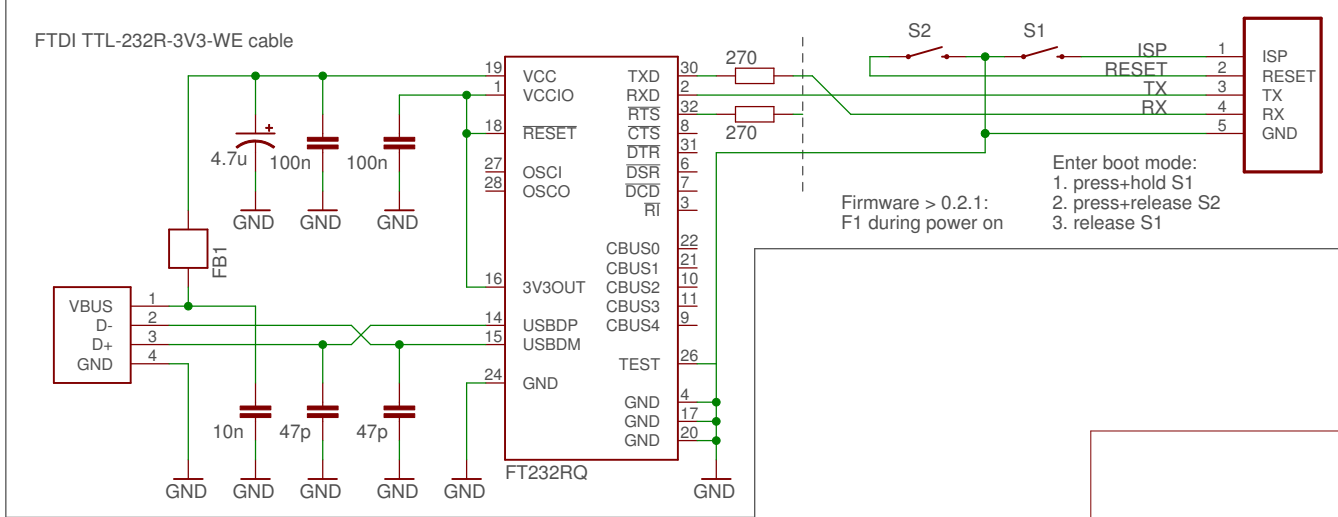
K-type
RED (+)
BLUE (-)



cold-junction compensation mod



split power supply mod



UART to ISP mod

U4 = 708S (not populated)
U6 = 27L2 (not populated)

Enter boot mode:
1. press+hold S1
2. press+release S2
3. release S1

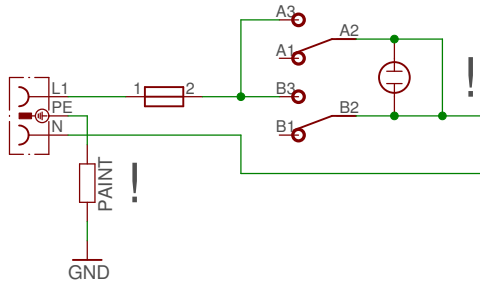
Firmware > 0.2.1:
F1 during power on



| |
|----------------|
| T962A |
| REV 0.2 |
| 4/3/16 1:46 PM |
| Sheet: 3/4 |

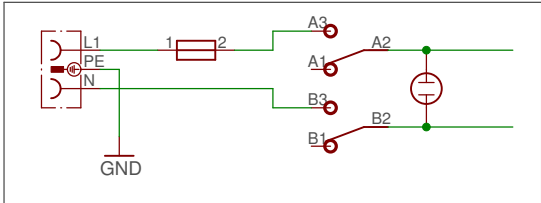
A

A



B

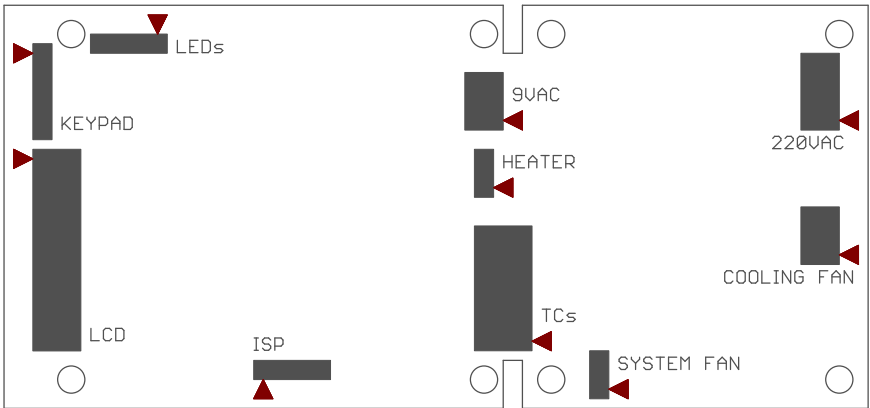
B



power line fix

C

C



connections and 1st pin assignments

Change log:
 0.1 - First release
 0.2 - Add power line fix (sht 4)
 Add pin assignments (sht 4)
 Add split power supply mod (sht 3)
 Correct U9:12 to HEATER P1 (sht 2)
 Correct U13:33 to COOL (sht 1)
 Correct U13:34 to HEAT (sht 1)
 Add sheet references (sht 1)



| | |
|----------------|--|
| T962A | |
| REV 0.2 | |
| 4/3/16 1:46 PM | |
| Sheet: 4/4 | |

D