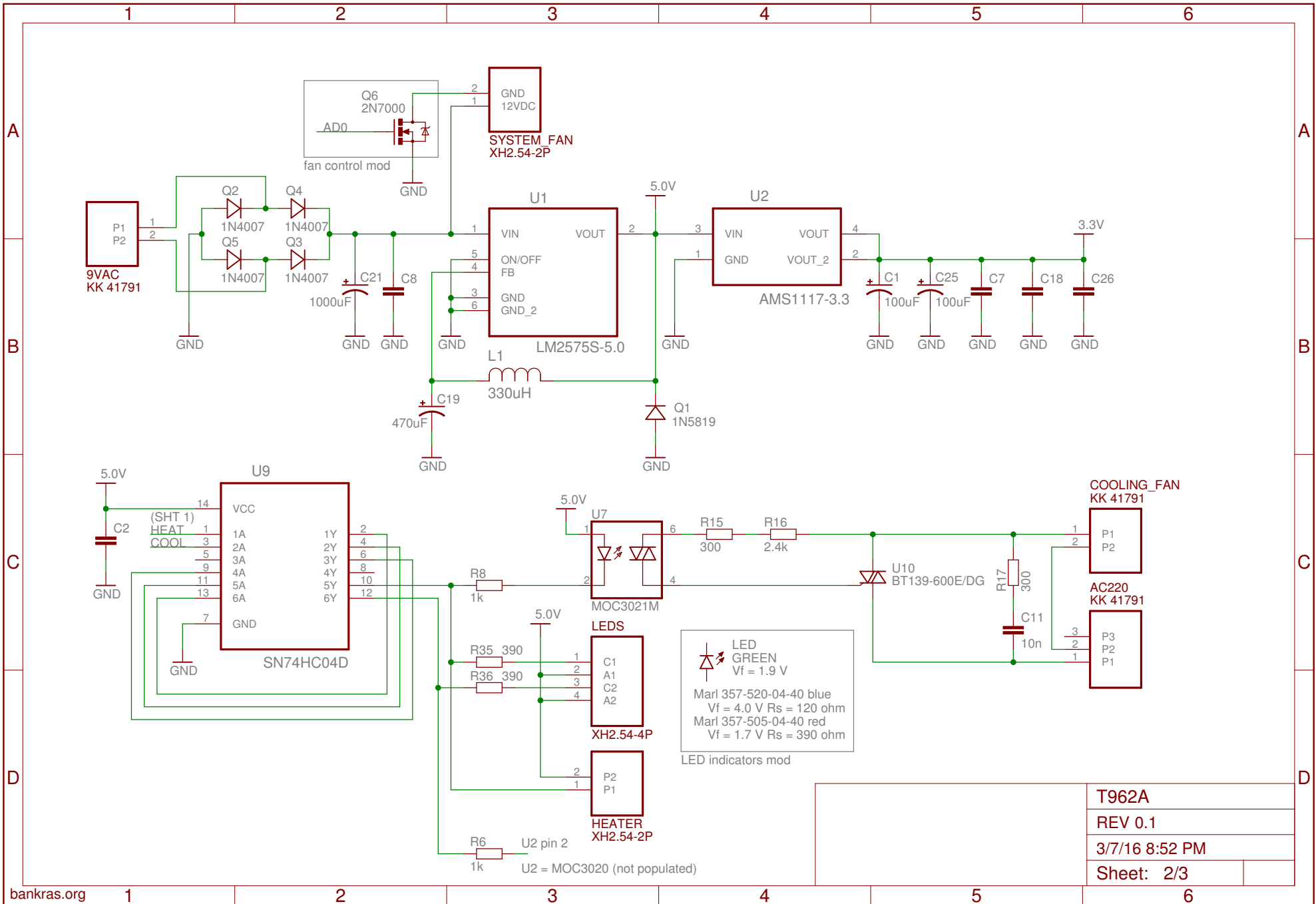


T962A
REV 0.1
3/7/16 8:52 PM
Sheet: 1/3



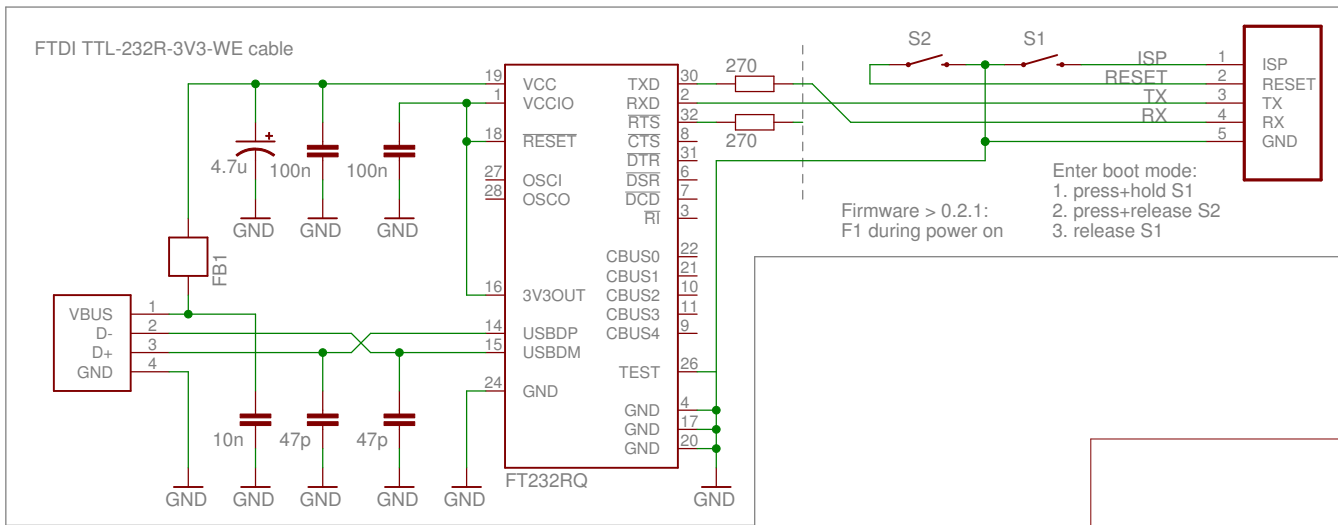
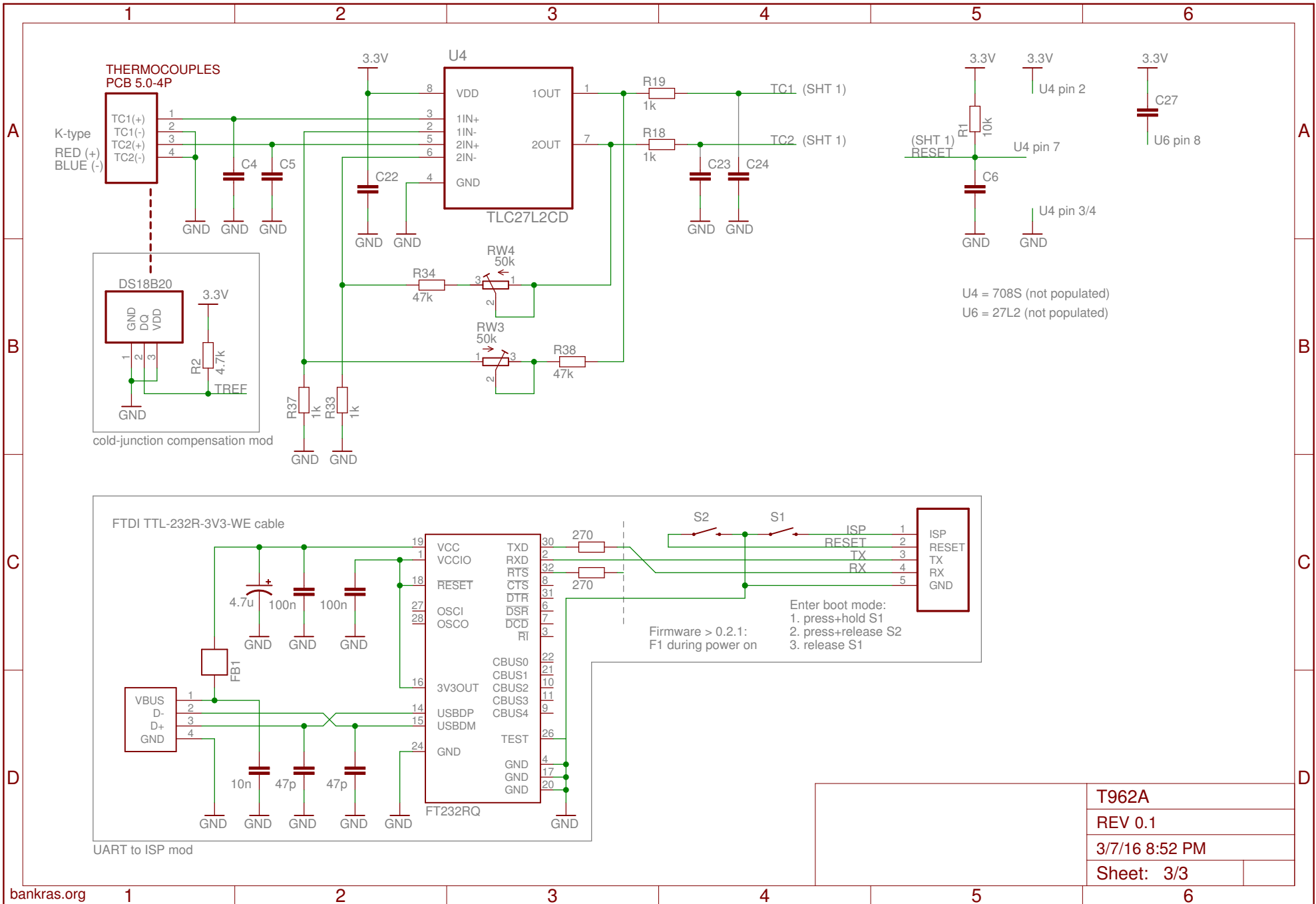
LED GREEN
Vf = 1.9 V

Marl 357-520-04-40 blue
Vf = 4.0 V Rs = 120 ohm

Marl 357-505-04-40 red
Vf = 1.7 V Rs = 390 ohm

LED indicators mod

T962A
REV 0.1
3/7/16 8:52 PM
Sheet: 2/3



T962A
REV 0.1
3/7/16 8:52 PM
Sheet: 3/3